

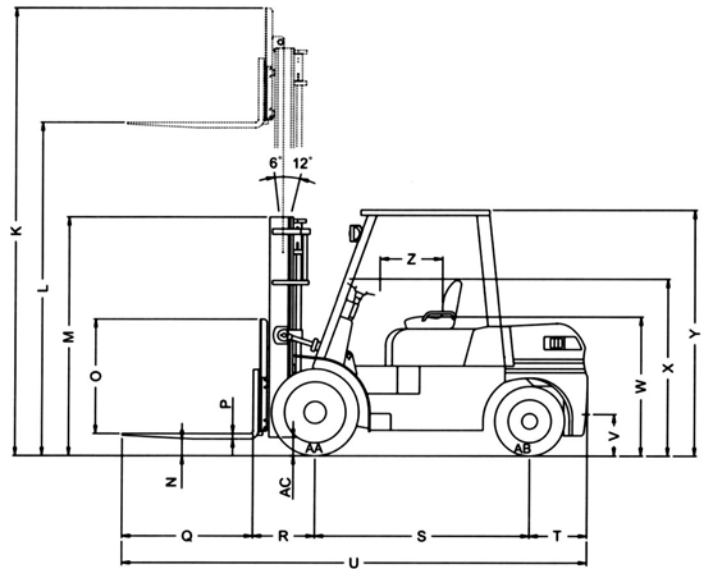
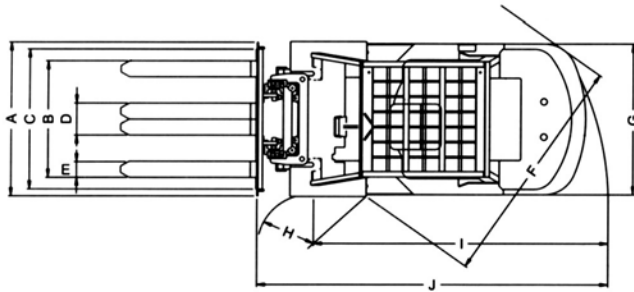
**Tai lift**

*Worldwide*

**9,000 to 11,000 lb  
Gas, LPG & Diesel Powered  
Pneumatic tire lift trucks**



CE ISO 9001



## DIMENSIONS

Item	Model	40	45	50
Overall width (in.)	A	57.0	57.0	57.0
Outside width between forks (in.)	B	51.9	51.9	51.9
Front wheels tread (in.)	C	45.2	45.2	45.2
Width of two forks (in.)	D	11.8	11.8	11.8
Width of one forks (in.)	E	5.9	5.9	5.9
Intersection aisle (in.)	F	98.4	100.3	106.2
Rear wheels tread (in.)	G	46.8	46.8	46.8
Min turning radius inside (in.)	H	9.8	9.8	9.8
Min turning radius outside (in.)	I	112.2	114.1	120.0
Overall length front face of fork (U-Q) (in.)	J	122.4	124.4	130.3
Max. height overall (in.)	K	166.1	166.1	166.1
Max. fork height (in.)	L	118.1	118.1	118.1
Height of mast (in.)	M	86.2	86.2	86.2
Free-lift (in.)	N	0	0	0
Height of load backrest (in.)	O	48.0	48.0	48.0
Max. thickness of fork (in.)	P	2.3	2.3	2.3
Length of fork (in.)	Q	48.0	48.0	48.0
Distance between front and center of front wheel (in.)	R	22.4	22.4	22.4
Wheel base (in.)	S	78.7	80.7	86.6
Distance between back and center of rear wheel (in.)	T	21.2	21.2	21.2
Overall length (in.)	U	170.4	172.4	178.3
Height of tail (in.)	V	15.5	15.5	15.5
Height of body (in.)	W	48.0	48.0	48.0
Height of steering wheel (in.)	X	67.3	67.3	67.3
Height of overhead guard (in.)	Y	90.1	90.1	90.1
Space of driver's seat (in.)	Z	16.9-25.1		
Dimensions of front wheel	AA	300-15-20P.R.		
Dimensions of rear wheel	AB	7.0-12-12P.R.		
Ground at lowest point	m1	5.5	5.5	5.5
Clearance center of wheel base	m2	9.0	9.0	9.0

## MAIN SPECIFICATIONS

Item	Model	FD / FG	FD / FG	FD / FG
		FG(LPG) 40	FG(LPG) 45	FG(LPG) 50
Load (lbs)		9000	10000	11000
Load Center (in.)		24	24	24
Mast tilting range (deg)	Front	6°	6°	6°
	Rear	12°	12°	12°
Lifting speed (in / sec)	No load	19.6"	19.6"	19.6"
	Full load	17.7"	17.3"	15.7"
Lowering speed (in/ sec)	No load	15.7"	15.7"	15.7"
	Full load	15.7"	15.7"	15.7"
Travel speed (mph)	No load	14.2/8.0	14.2/8.0	13.6/8.0
	Full load	13.0/7.4	13.0/7.4	12.4/7.4
Gradeability (deg)	No load	12 / 12	13 / 13	13 / 13
	Full load	10 / 20	11 / 21	11 / 21
Fuel tank capacity (gallon)		23.75	23.75	25
Oil tank capacity (gallon)		23.75	23.75	25
Net weight (lbs)		14140	14427	14757
Max. drawbar pull (lbs)		8340/4154	8336/4154	7404/4154

### Standard features include:

- \* Two Speed Automatic Transmission (Forward and Reverse)
- \* Planetary Drive Hubs

### Engine Options

Diesel: Perkins Model	1104C-44	86 H.P.
LPgas: G.M.	4.3	120 H.P.

Authorized distributor: